

ECLIPSE FLEX

WHITE 600

RECF60WHT

BLACK 600

RECF60BLK



Size (mm):

Diameter	600
Depth	33

Features

LED Lighting	✓
Demister	✓
Copper Free Mirror	✓
Adjustable Colour Temperature	✓
Dimmable	✓

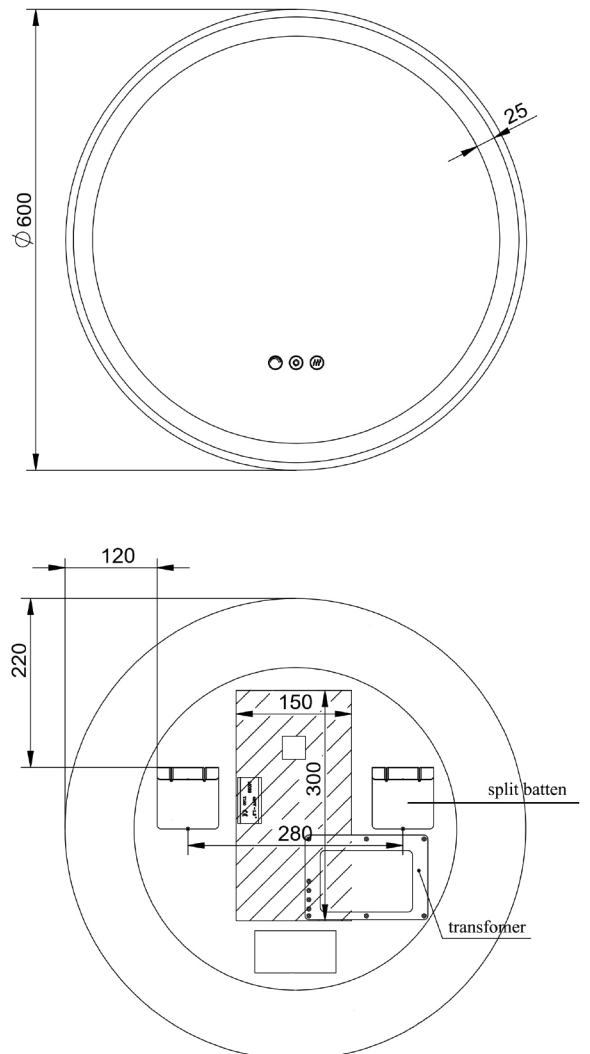
MDF Coloured Frame Optins:

Matte White	<input type="radio"/>
Matte Black	<input checked="" type="radio"/>

WARRANTY

5 years

*Conditions apply



To clean this mirror, wipe it with a soft microfiber cloth or a lint free cloth that has been rinsed in warm water and wrung out well, then rub the mirror gently with a soft dry cloth.

PLEASE do not use glass or window cleaner, or other cleaners with chemical agents. These may damage the silver coating and brown marks can result.

Please confirm all particulars with your sales consultant or refer to our website for more information prior to purchase.

Version 1.1 November 2019